

# BP432BX

BP432BX AC/DC

BP432BX Adaptive COT

1.25 V CCM DCM

BP432BX  
3.3 V  
70 kHz

BP432BX  
FB

V

BP432BX SOT23-6

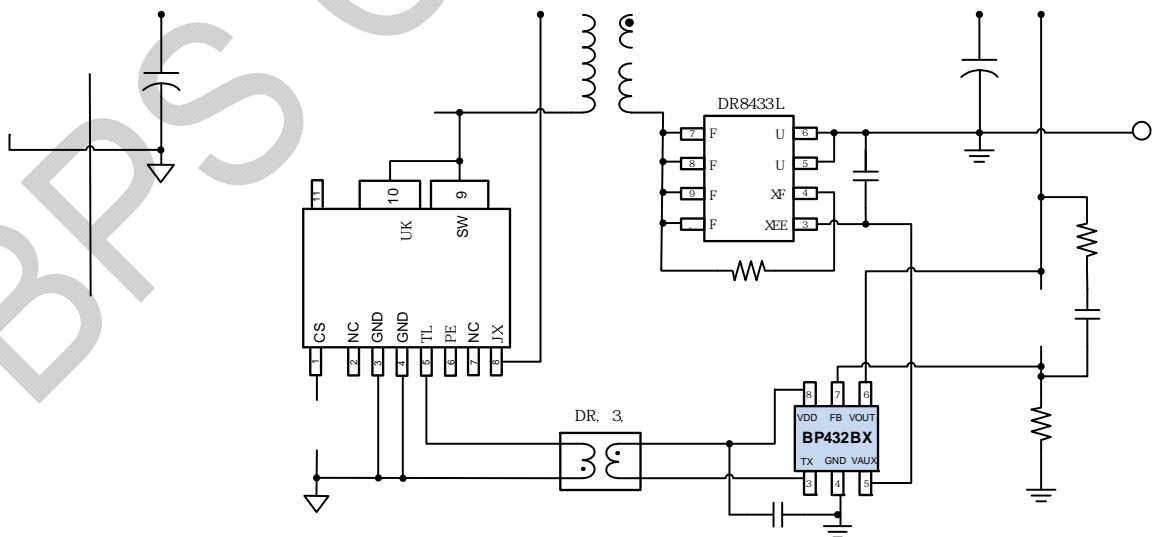


SOT23-6

BP432BC /14 V BP432BD /23

- 
- 1.25 V
- Adaptive COT
- 
- 
- CCM DCM
- 
- 
- 
- 
- 
- FB
- 

- QC / USB PD / AC/DC
- 
- AC/DC



1. BP432BX

BPS Confide

BPS Confidential