

## Low Standby Power Non-isolated CV Converter

### Description

The BP2525X is an ultra-low standby power non-isolated buck converter for constant output voltage application. The device is suitable for 85Vac~265Vac universal input non-isolated auxiliary power supply.

The BP2525X integrates a high voltage power MOSFET. With the output voltage and current control technique, it can get excellent CV regulation. The chip integrates smart high voltage startup and power supply circuit.

The BP2525X integrates a high voltage power MOSFET, current control, and powering VCC by output voltage, which contribute to very low standby power, high efficiency, excellent dynamic response and minimized audible noise.

The BP2525X is available in SOT33-5A package.



SOT33-5A package

### Features

- Standby power <math><20\text{mW}</math> at 120Vac and 230Vac
- Fixed 3.3V and 5V output voltage
- Support direct 3.3V output without LDO
- Reduced audible noise
- Internal High Voltage Power MOSFET
- Integrated HV startup
- Excellent dynamic response for smaller output voltage ripple
- $\pm 5\%$  output CV accuracy
- Integrated soft startup function
- SOT33-5A package

### Protection Function

- Overload protection
- Output short protection
- Over temperature protection
- Cycle by cycle Current limitation

### Applications

- Standby power supply for smart lighting
- Other auxiliary power applications

### Typical Application

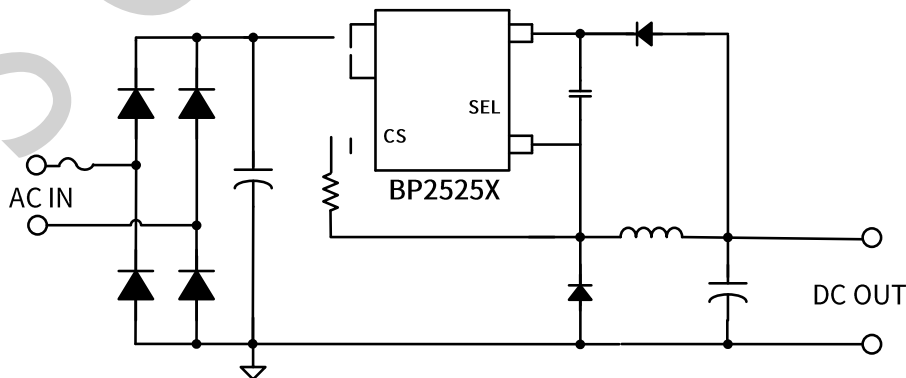
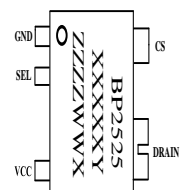


Figure 1. Typical application circuit for BP2525X

---

BPS CONFIDENTIAL



BPS CO